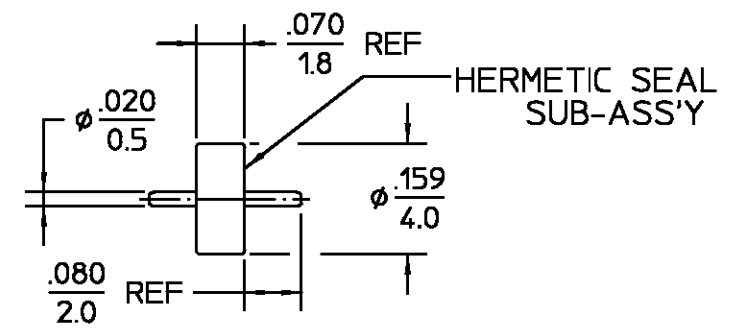
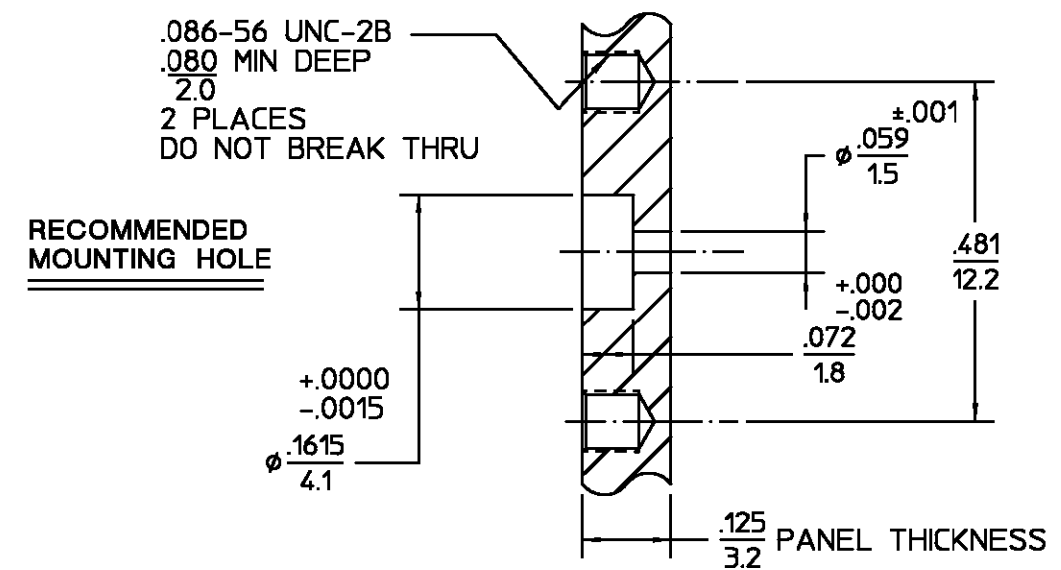


| REVISIONS | | | |
|-----------------|-------------|----------|-------------|
| REV | DESCRIPTION | DATE | APPROVED |
| 03 ₃ | REVISED | 10/18/80 | [Signature] |



| COMPONENT | MATERIAL | FINISH |
|---------------------|--|----------------------------|
| HOUSING | STAINLESS STEEL PER ASTM-A484 AND ASTM-A582, TYPE 303 | GOLD PLATE PER MIL-G-45204 |
| DIELECTRIC | TFE FLUOROCARBON PER ASTM-D-1457 | N/A |
| CENTER CONTACT | BERYLLIUM COPPER PER ASTM-B-196 OR ASTM-B-197, ALLOY C17300, CONDITION H | GOLD PLATE PER MIL-G-45204 |
| CONTACT EXT BUSHING | IRON-NICKEL-COBALT ALLOY PER MIL-I-23011 CLASS 1 (KOVAR) | GOLD PLATE PER MIL-G-45204 |
| HERMETIC SEAL | GLASS BEAD | N/A |

| | | | |
|--|---------------------|---|---|
| UNLESS OTHERWISE SPECIFIED DIMENSIONS ARE IN INCHES TOLERANCE ON FRAC. DEC. ANGLES ± 1/64 ±.005 ± ° | DRAWN BY SB | DATE 10/29/80 | AMP Incorporated 140 Fourth Avenue Waltham, MA 02451-7599 |
| | CHECKED BY KD | 11/6/80 | |
| | APPD BY TS | 11/6/80 | |
| These drawings and specifications are the property of M/A-COM Incorporated and shall not be reproduced or copied or used in whole or in part as the basis for the manufacture or sale of item(s) without written permission. | USE ASS'Y PROCEDURE | TITLE OSM 2-HOLE FLANGE MOUNT JACK RECEPTACLE WITH HERMETIC SUBASSY | |
| | NO. AP. 20-606 | SIZE B | CODE IDENT NO. 26805 |
| | 408-04850 | SCALE 4:1 | 2052-0435-00 |
| | | | REV 03 ₃ |
| | | | SHEET 1 OF 1 |

NOTES:
1. CAPTURED CENTER CONTACT

.XXX = in
XX.X = mm (REF)

CUSTOMER DRAWING

AMP PART # 1052455-1
SHEET 1 OF 1 REV A